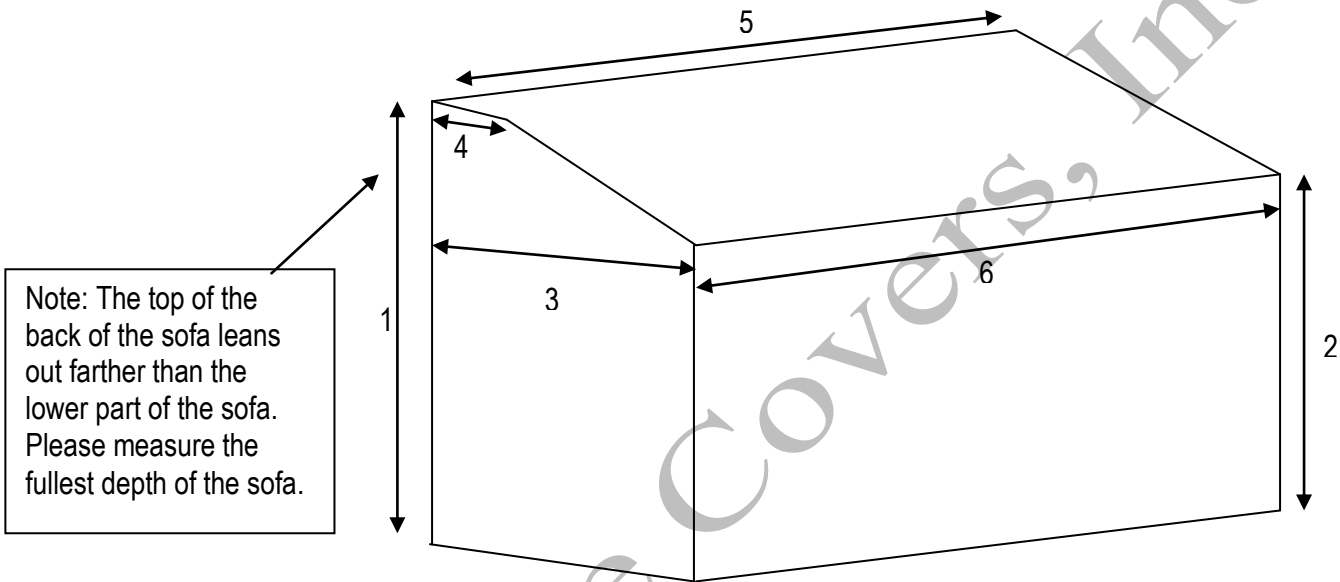


Customer name: _____

SOFA COVER



Note: The top of the back of the sofa leans out farther than the lower part of the sofa. Please measure the fullest depth of the sofa.

Please measure your chair (in inches) following the above picture. Do not round measurements.

- 1) Height of sofa in back _____
- 2) Height of sofa in front (top of the arm) _____

Note: When measuring the depth of the sofa, measure from the front to the furthest part of the back.

- 3) Depth of sofa(front to back) _____
- 4) Thickness of frame and cushion _____
- 5) Width of sofa at head area _____
- 6) Width at top of arm area _____

***** Please submit photographs along with completed diagram. *****

Creative Covers, Inc.