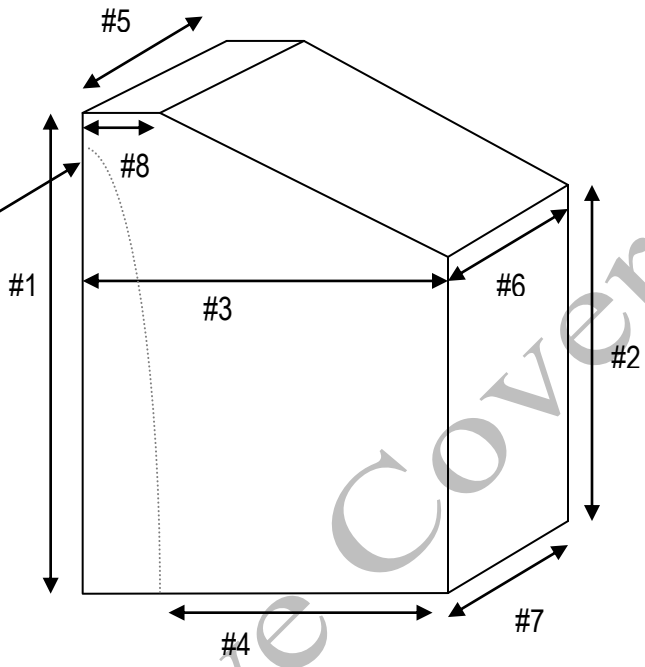


Customer name: _____

Chair Cover
(Full arms)

Note: The top of some chairs lean out past the lower part of the frame. For #3, please give the measurement of the complete depth of the chair.



Please measure your chair (in inches) following the above picture. Do not round measurements.

- 1) Height of chair in back _____
- 2) Height of chair in front _____
- 3) Depth of chair (front to back) at arms _____
- 4) Depth of chair (front to back) at feet _____
- 5) Width of chair at head area _____
- 6) Width at top of arm area _____
- 7) Width at feet area _____
- 8) Thickness of frame and cushion _____

***** Please submit photographs along with completed diagram. *****