

Creative Covers INC.

Designer and Manufacturer of Protective Covers

QUOTE REQUEST FORM FOR CARTS/RACKS/EQUIPMENT

Name: _____ Date: _____

Contact e-mail / telephone: _____

Equipment Size: W x D x H (Exact)

One inch will be added to width and depth for wiggle room.

A) _____ B) _____ C) _____

Quantity: _____

Material Choice:

- Translucent White
- Poly Vinyl 10oz. (Beige or Gray)
- Clear Vinyl 10-12oz.
- Nylon 210D (Black, Light Gray or Red)
- Nylon 420D (Black Royal Blue or Light Gray)
- Polyester Canvas 10oz. (Black, Lt Gray, Charcoal, Tan/Khaki, Royal Blue)
- ESD Material (Black only)
- Tyvek
- Military Fabric 10oz.
- Fire Retardant
- Other: _____

Access (refers to necessary openings from top to bottom):

- No access
- One (1) opening (corner or center). Please indicate on diagram.
- Flap on side A
- Flap on side B
- Flaps on both sides, A and B
- Other _____

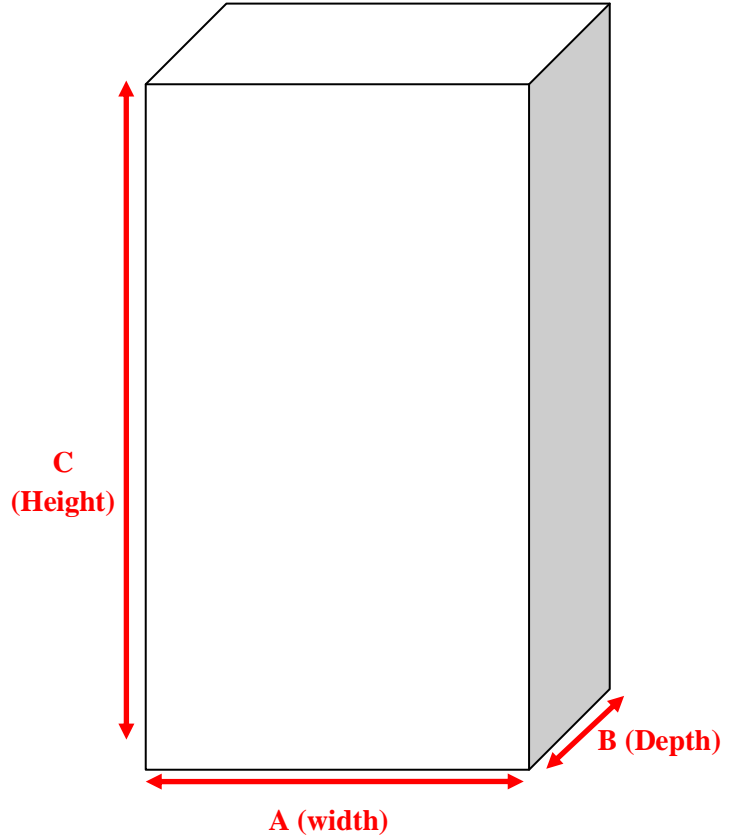
Closure Option (if Access Type Selected):

- Zipper
- Velcro
- Other _____

Ties (inner straps to fasten cover to cart):

- 4 ties - on top corners
- 8 ties - all corners

Grommets: _____



***** Please submit photographs along with completed diagram. *****

Comments: _____

